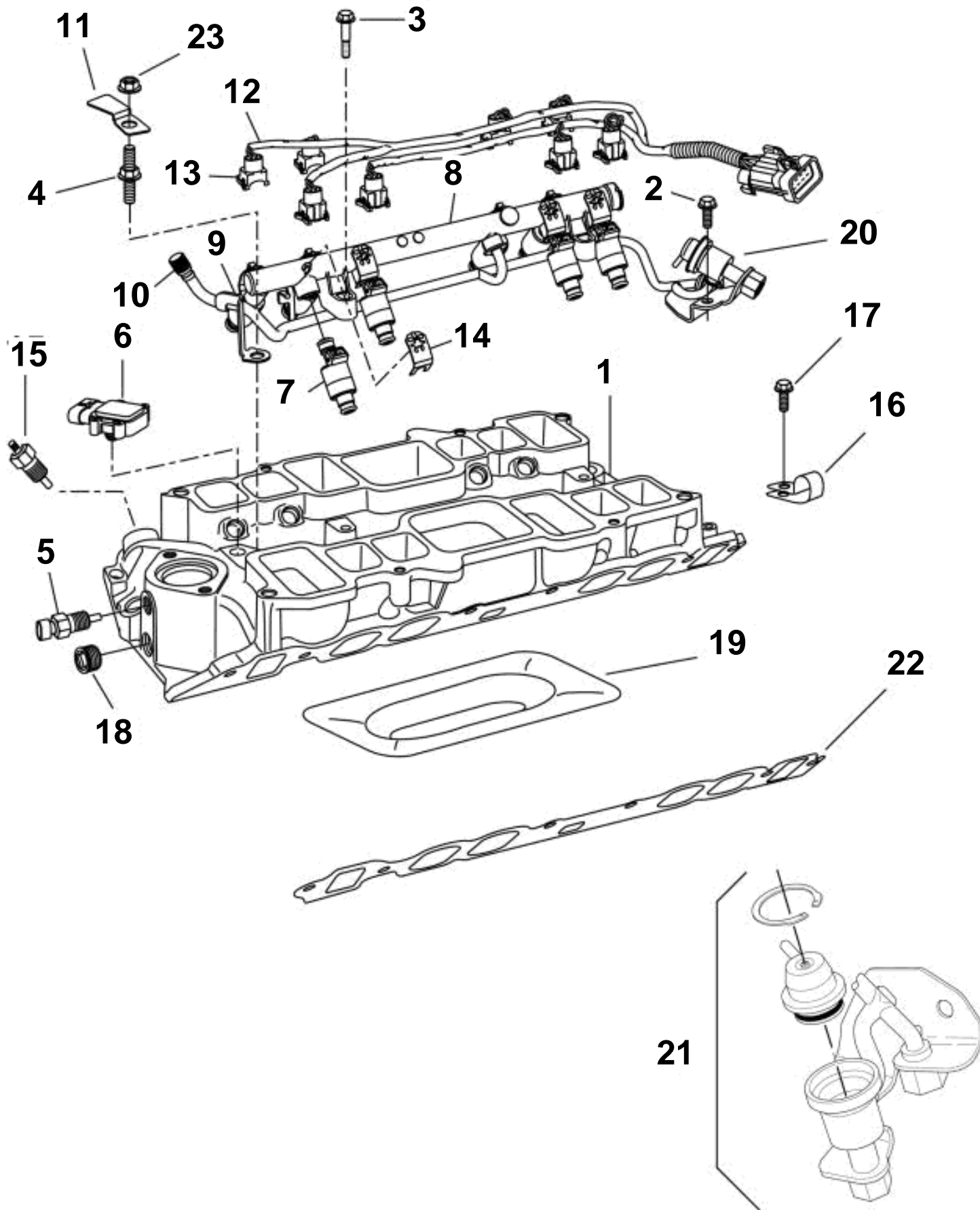


INTAKE MANIFOLD, LOWER, Gi



INTAKE MANIFOLD, LOWER, Gi

REF	PART NO.	QTY	DESCRIPTION	NOTES
1	3857684	1	Manifold, Lower	
2	3852595	2	Screw, Fuel rail, rear	
3	3857472	2	Bolt, Fuel rail, middle	
4	3857485	1	Stud, Fuel rail, front	
5	3850397	1	Ect sensor	
6	3857479	1	Sender	
7	3857700	8	Injector	
	3855192	X	· O-ring, Fuel injectors	Pack of 12 o-rings, 6 seals; not shown
8	3857692	1	Fuel pipe	
9	3857698	1	· Valve	
10	3853616	1	· · Protective cap	
11	3857682	1	Retainer, MAP sensor	
12	3858053	1	Cable kit, Fuel injectors	
13	3857690	X	· Connector, Fuel injectors	
14	3858052	1	Clip, Fuel injectors	Pack of 8
15	3852029	1	Sender	
	872068	1	Sender	Dual station
16	3852434	2	Clamp, Engine cable to intake	
17	3853419	1	Screw, Engine cable clamp to intake	
18	3850999	1	Plug, Intake by-pass hole	
19	3856027	1	Shield, Oil splash	
20	3857703	1	Fuel press regulator	
21	3857699	X	· Gasket kit, Fuel pressure regulator	
22	3857680	1	Gasket kit, Lower intake to block	
23	3857683	1	Nut, MAP sensor retainer	
	3855983	12	Screw, Lower intake to block	Not shown